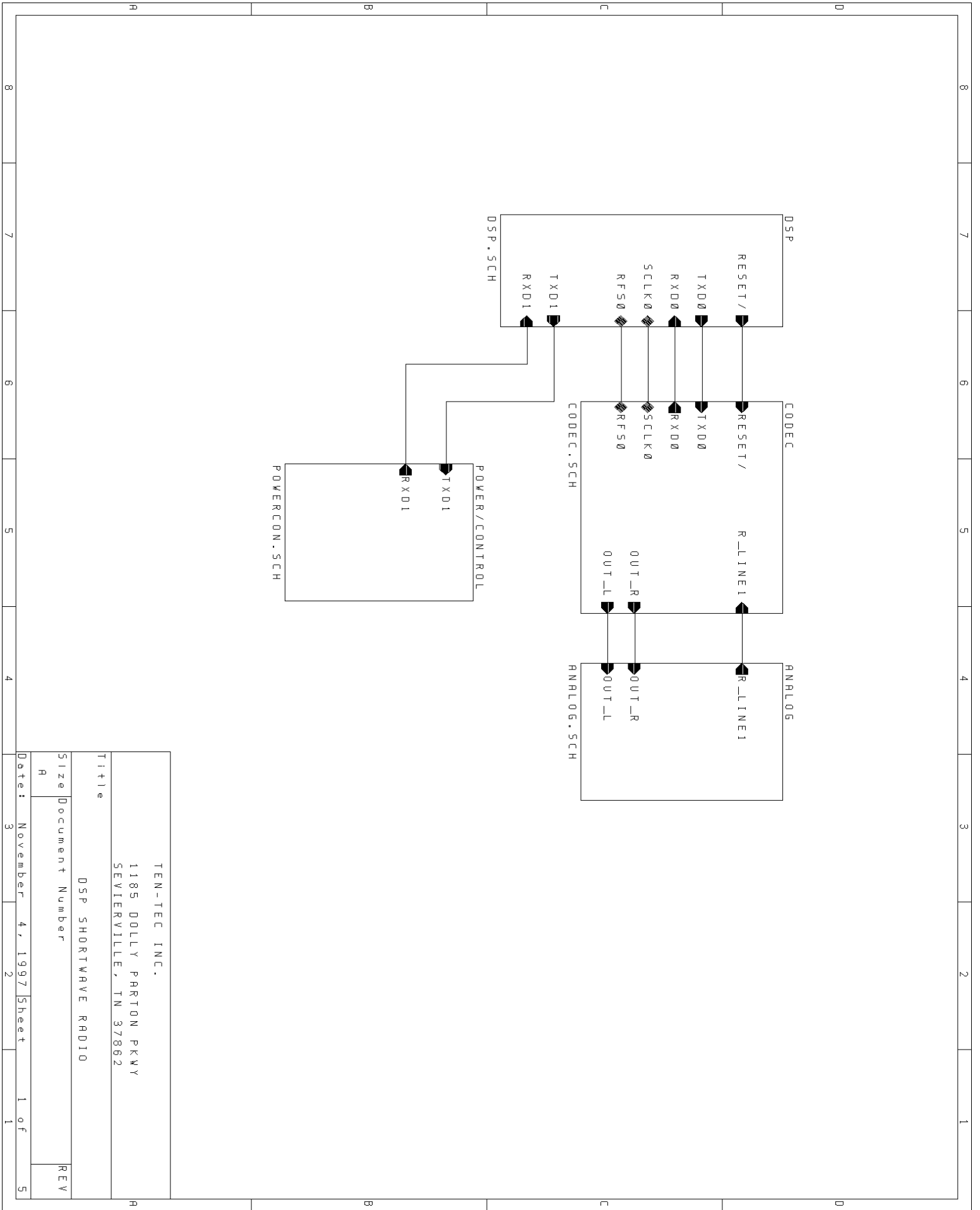


RX-320
SCHEMATIC DIAGRAMS
&
MATERIAL LIST



TEN-TEC, INC
1185 Dolly Parton Parkway
Sevierville, TN 37862
(423) 453-7172

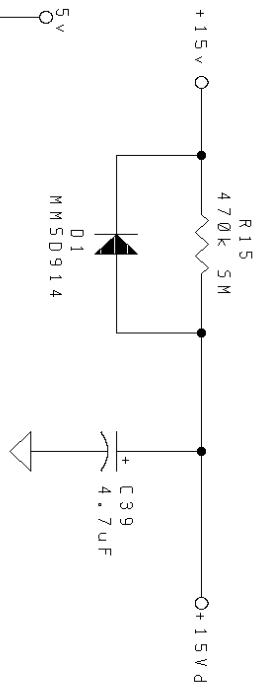
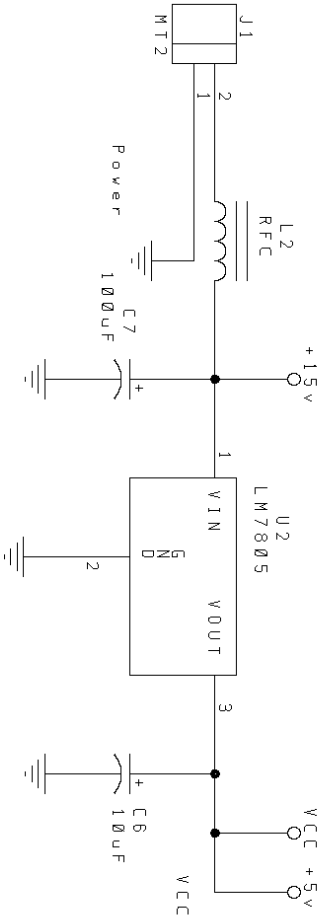
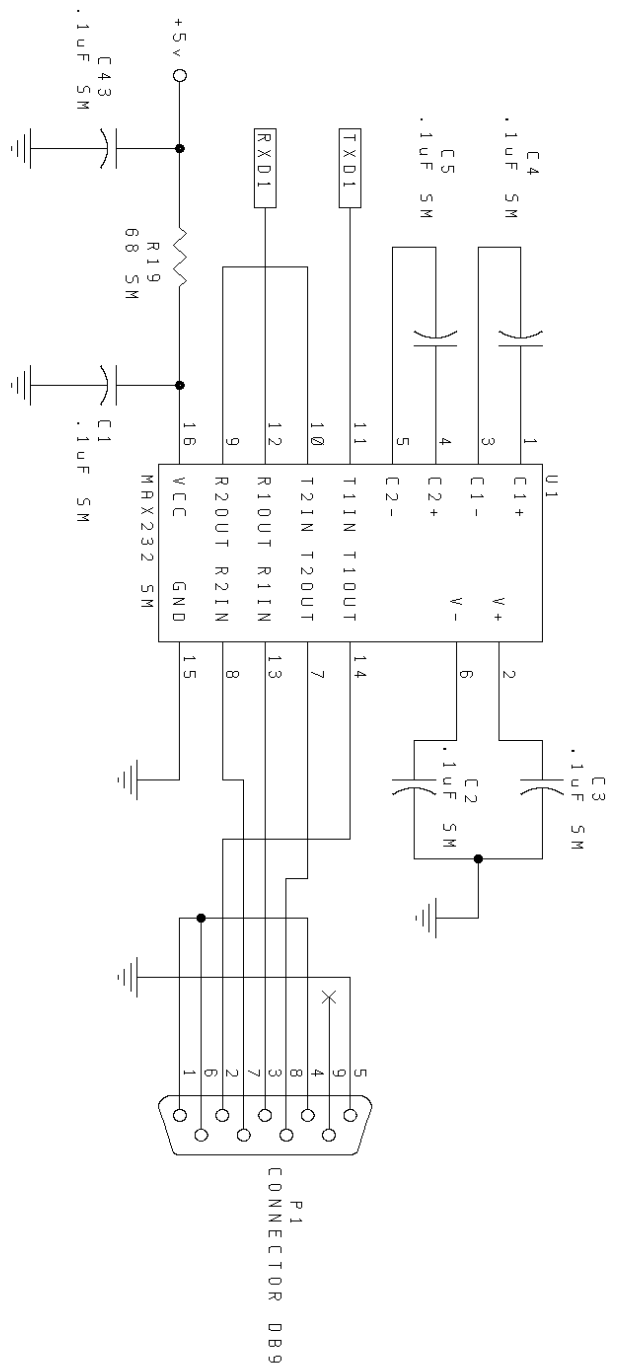


TEN-TEC INC.
 1185 DOLLY PARTON PKWY
 SEVIERVILLE, TN 37862

Title
 DSP SHORTWAVE RADIO

Size Document Number

Date: November 4, 1997 Sheet 1 of 5



TEN-TEC INC.
 1185 DOLLY PARTON PKWY
 SEVIERVILLE, TN 37862

Title
 DSP RADIO - POWER & CONTROL

Size Document Number

REV

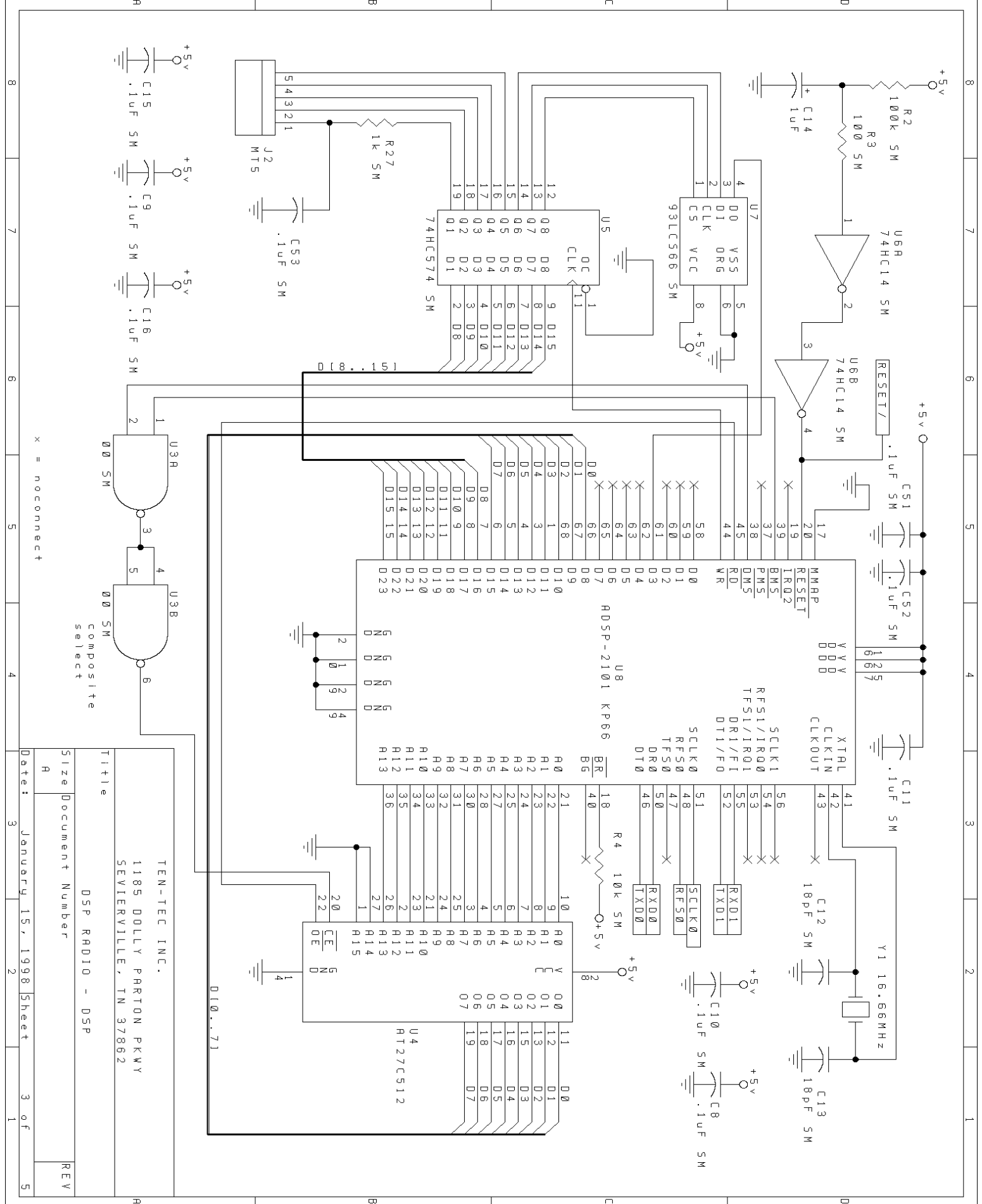
Date: December 30, 1997

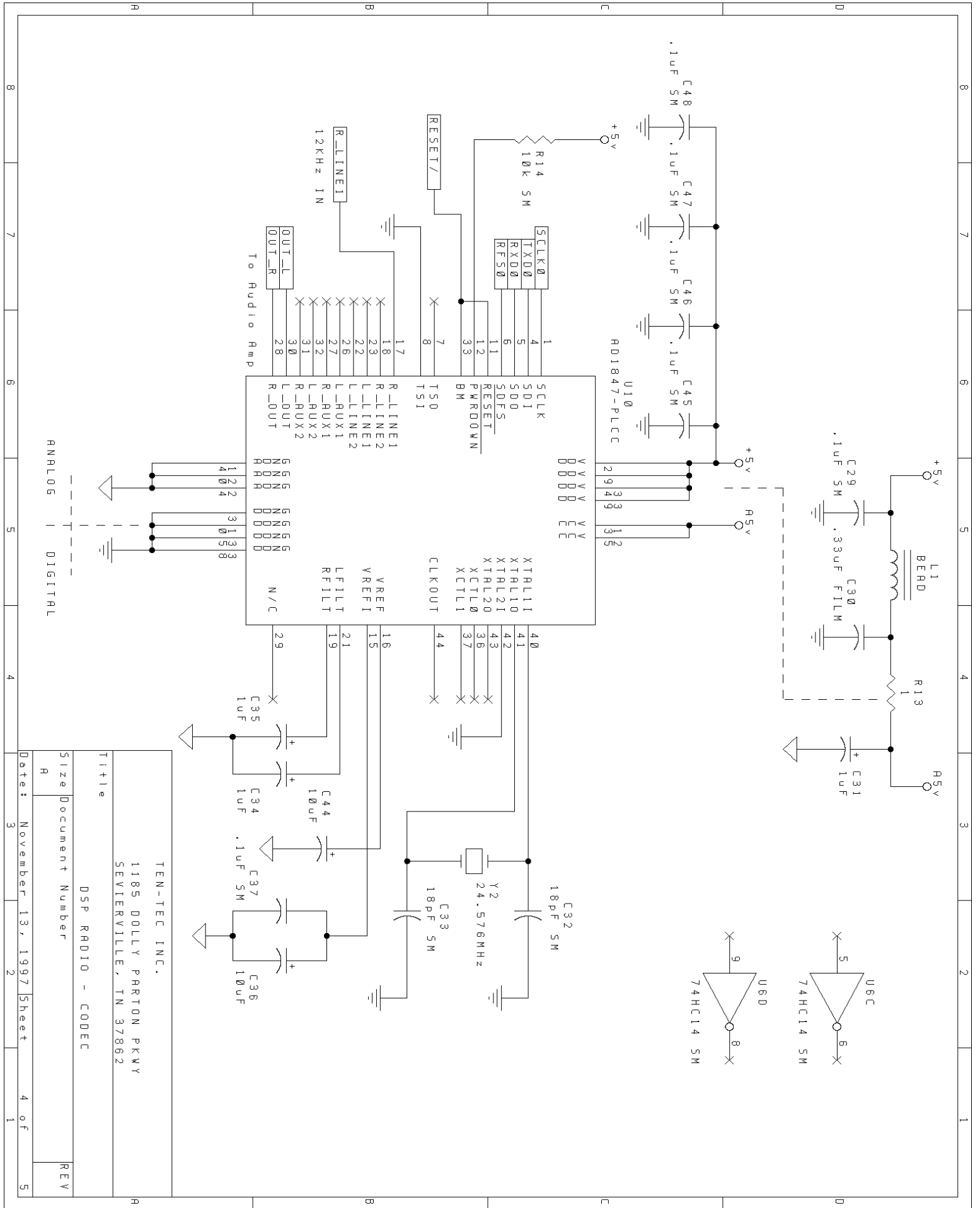
3

2

Sheet

1 of 5

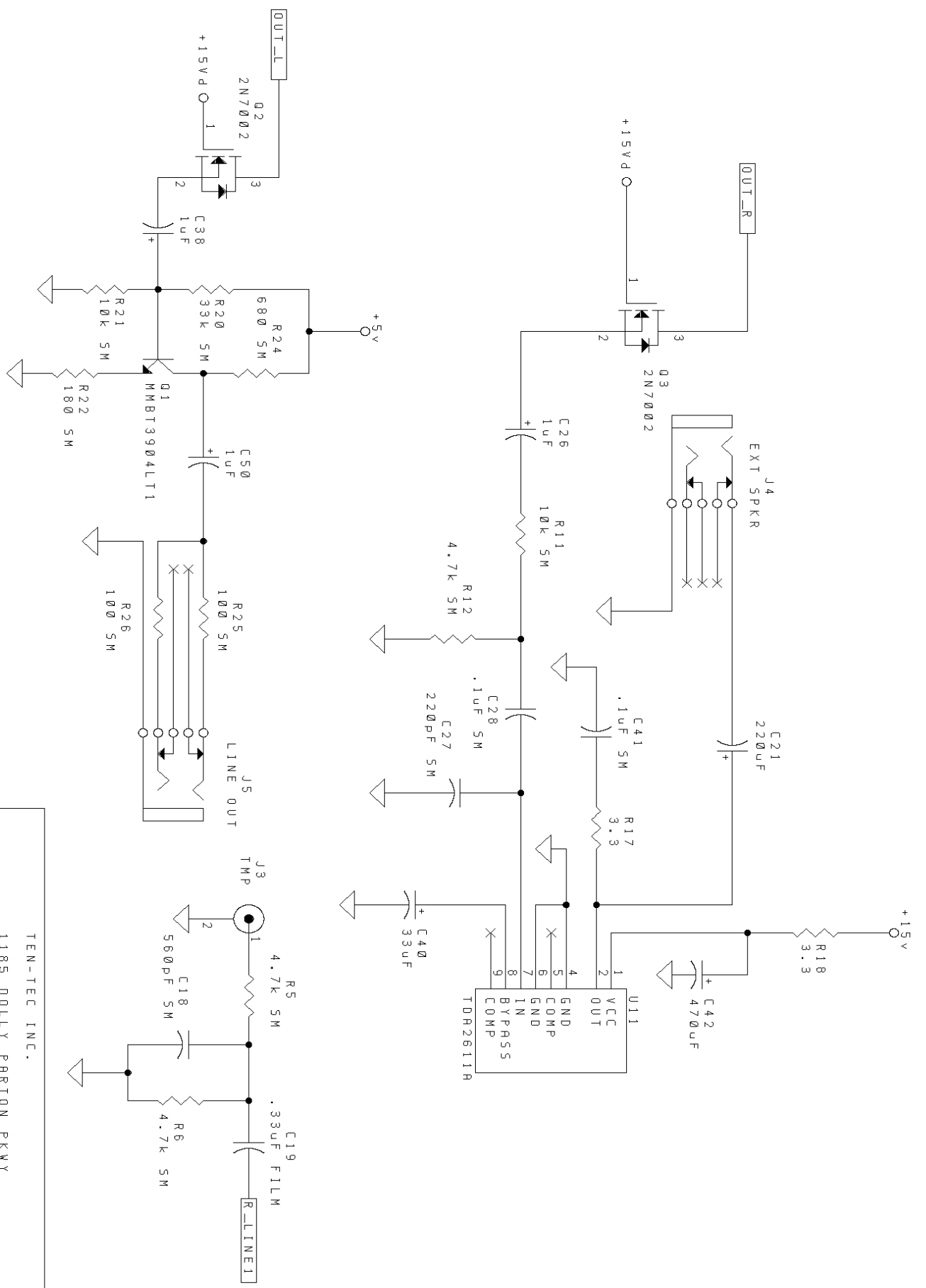




TEN-TEC INC.
 1185 DOLLY PARTON PKWY
 SEVIERVILLE, TN 37862

DSP RADIO - CODEC
 Size Document Number
 REV

Date: November 13, 1997 Sheet 4 of 5



TEN-TEC INC.
 1185 DOLLY PARTON PKWY
 SEVIERVILLE, TN 37862

DSP RADIO - ANALOG

Title

Size Document Number

Date: March 19, 1998

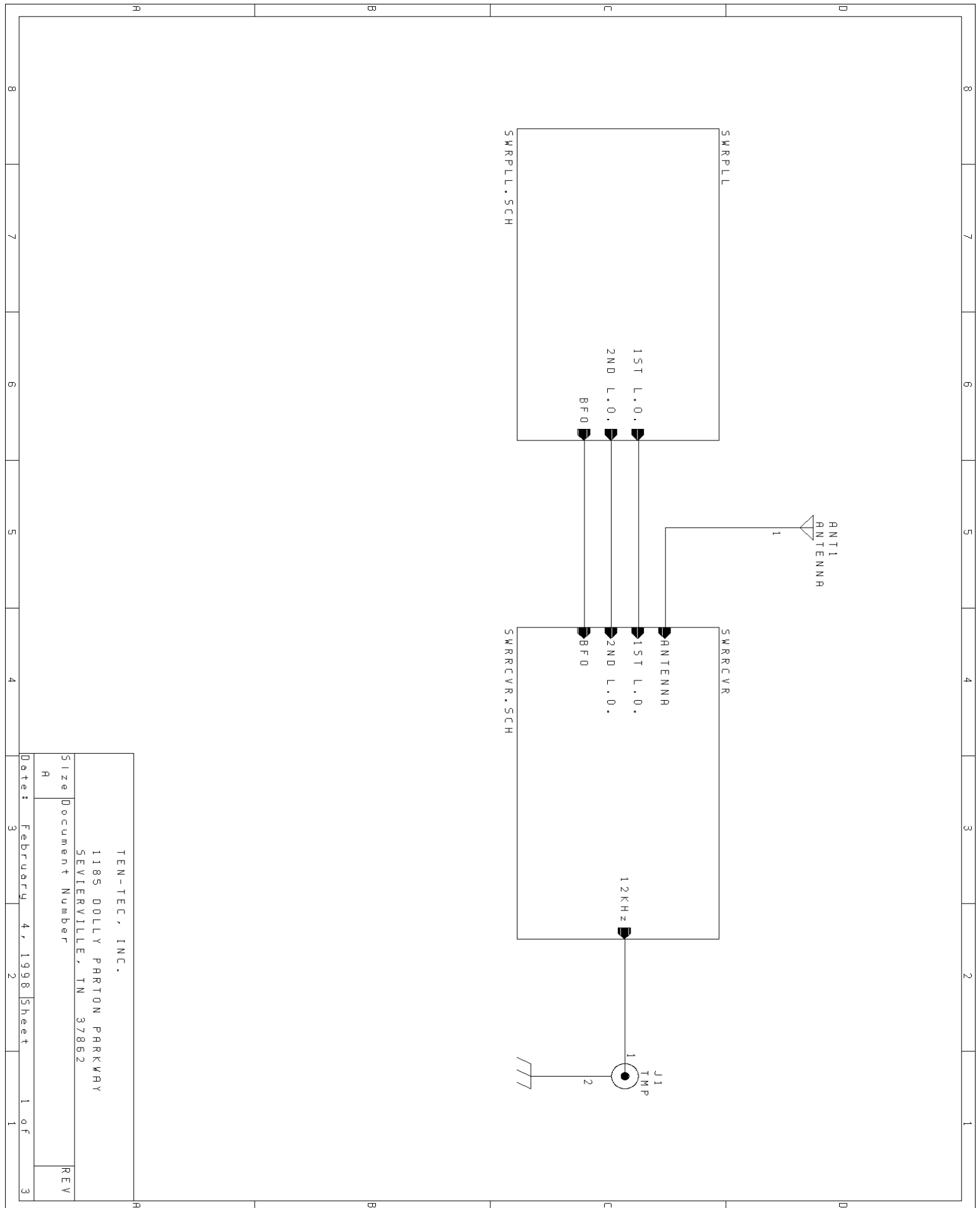
Sheet 2

REV

DSP SHORTWAVE

Item	Quantity	Reference	Part	Ten-Tec Part Number
1	1	R13	1	30103
2	2	R18,R17	3.3	30109
3	1	R19	68 SM	30648
4	3	R3,R25,R26	100 SM	30650
5	1	R22	180 SM	30653
6	1	R24	680 SM	30660
7	1	R27	1k SM	30662
8	3	R5,R6,R12	4.7k SM	30670
9	4	R4,R11,R14,R21	10k SM	30674
10	1	R20	33k SM	30680
11	1	R2	100k SM	30686
12	1	R15	470k SM	30694
13	1	L2	RFC	21179
14	1	U2	LM7805	25095
15	1	U11	TDA2611A	25299
16	1	J1	MT2	35065
17	1	J2	MT5	35068
18	4	C12,C13,C32,C33	18pF SM	23465
19	1	C27	220pF SM	23478
20	1	C18	560pF SM	23483
21	23	C1,C2,C3,C4,C5,C8,C9,C10, C11,C15,C16,C28,C29,C37, C41,C43,C45,C46,C47,C48, C51,C52,C53	.1uF SM	23488
22	2	C30,C19	.33uF FILM	23329
23	7	C14,C26,C31,C34,C35,C38, C50	1uF	23264
24	1	C39	4.7uF	23310
25	3	C6,C36,C44	10uF	23266
26	1	C40	33uF	23308
27	1	C7	100uF	23189
28	1	C21	220uF	23202
29	1	C42	470uF	23228
30	1	U3	00 SM	25394
31	2	Q2,Q3	2N7002	25412
32	1	Y1	16.66MHz	48209
33	1	Y2	24.576MHz	48239
34	1	U6	74HC14 SM	25403
35	1	U5	74HC574 SM	25404
36	1	U7	93LCS66 SM	N/A
37	1	U10	AD1847-PLCC	25402
38	1	U8	ADSP-2101 KP66	25411
39	1	U4	AT27C512	25329
40	1	L1	BEAD	21027
41	1	P1	CONNECTOR DB9	35242
42	1	U1	MAX232 SM	25410
43	1	D1	MMSD914	28124
44	1	J3	TMP	35225
45	1	Q1	MMBT3904LT1	25375
46	1	J5	LINE OUT	35252
47	1	J4	EXT SPKR	35252

Notes

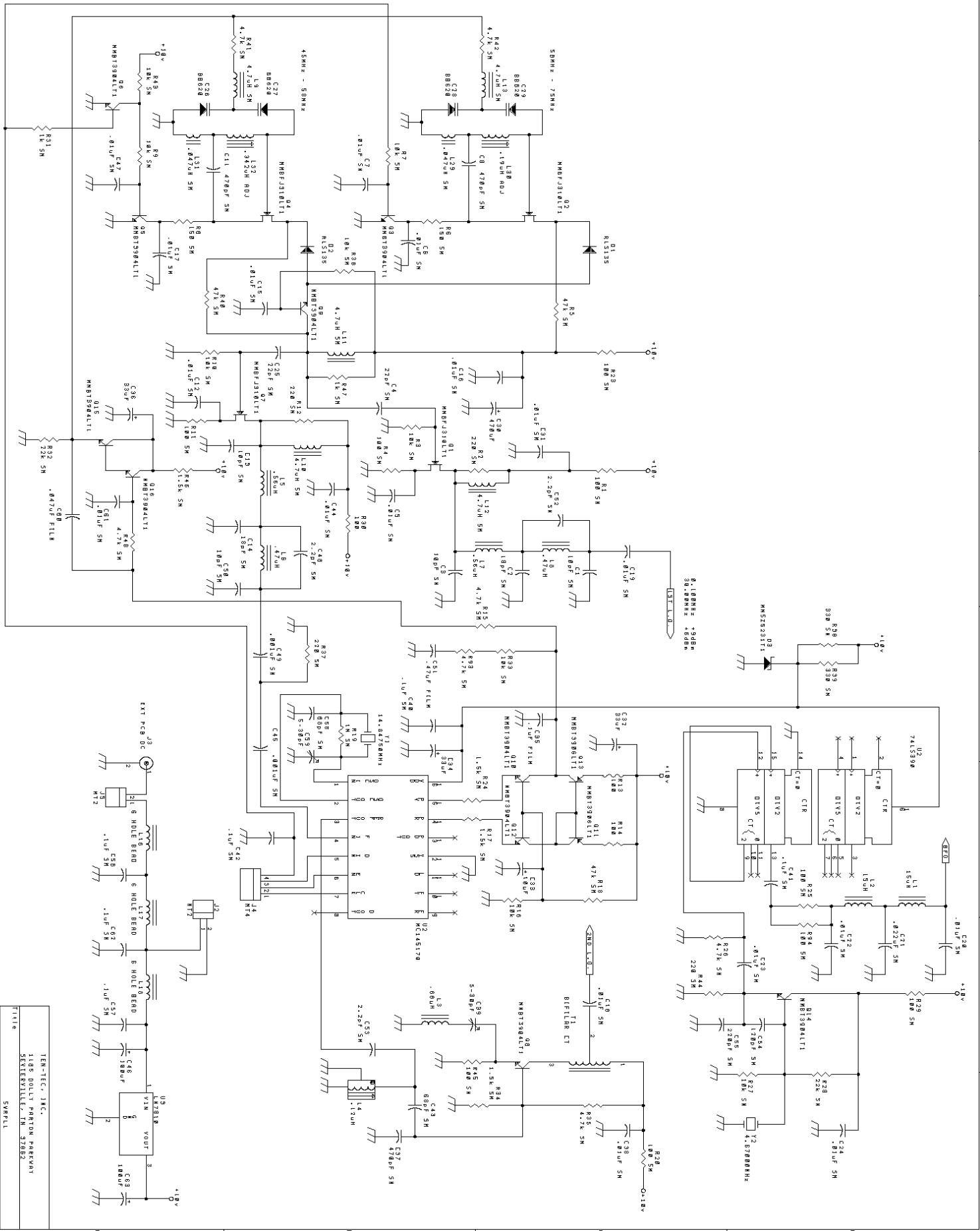


TEN-TEC, INC.
 1185 DOLLY PARTON PARKWAY
 SEVIERVILLE, TN 37862

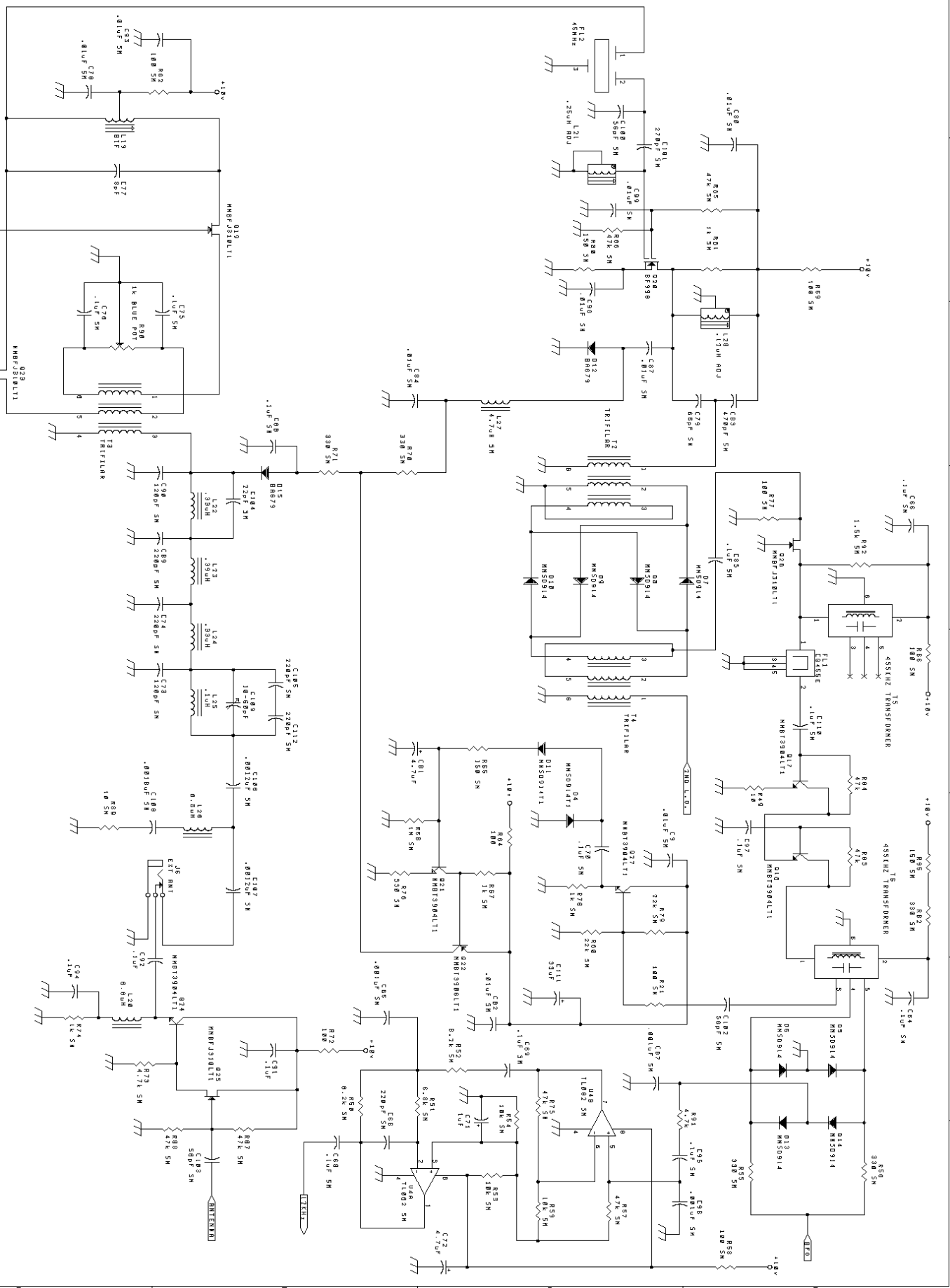
Size Document Number
 A

REV

Date: February 4, 1998 Sheet 1 of 3



Part Number	100-33-193A Rev. 2
Revision	2 of 3
Company	TEN-TEC, INC.
Address	1105 DOLLY PARKWAY
City	SEVIERVILLE, TN 37883
Country	USA
Document Number	571111
Date	June 23, 1988
Author	SW
Checked	SW
Approved	SW



TEN-TEC, INC.
 1185 DOLLY PARTON PARKWAY
 SEVENHILLS, TN 37288
 Size Document Number
 C
 Date 03-1998 Rev 3 of 3

Item	Quantity	Reference	Part	Part Number
1	3	C48,C52,C53	2.2PF	23454
2	5	C1,C3,C13,C50,C77	10PF	23462
3	2	C2,C14	18PF	23465
4	6	C4,C9,C10,C25,C58,C104	22PF	23466
5	3	C100,C102,C103	56PF	23471
6	2	C43,C79	68PF	23472
7	3	C54,C73,C90	120PF	23475
8	6	C55,C66,C74,C89,C105, C112	220PF	23478
9	1	C101	270PF	23479
10	4	C8,C11,C37,C83	470PF	23482
11	22	C5,C6,C7,C12,C15,C16,C17, C18,C19,C23,C24,C31,C38, C44,C47,C78,C80,C82,C84, C87,C98,C99	.01MF	23487
12	22	C40,C41,C42,C56,C57,C62, C64,C68,C69,C70,C75,C76, C85,C86,C88,C91,C92,C93, C94,C95,C97,C110	.1MF	23488
13	5	C45,C49,C65,C67,C96	.001MF	23486
14	2	C20,C22	.0082MF	23523
15	1	C21	.022MF	23510
16	1	C108	.0018MF	23522
17	1	L25	.1UH	21100
18	2	L22,L24	.33UH	21106
19	1	L23	.39UH	21107
20	2	L6,L8	.47UH	21108
21	2	L5,L7	.56UH	21109
22	1	L3	.68UH	21110
23	2	L20,L26	6.8UH	21122
24	2	L1,L2	15UH	21126
25	1	C35	.1MFD	23328
26	1	C51	.47MFD	23330
27	15	Q3,Q5,Q6,Q8,Q9,Q10,Q12, Q14,Q15,Q16,Q17,Q18,Q21, Q24,Q27	MMBT3904LT1	25375
28	3	Q11,Q13,Q22	MMBT3906LT1	25376
29	2	R49,R89	10	30638
30	19	R1,R4,R11,R13,R14,R20, R23,R25,R29,R30,R45,R58, R62,R64,R66,R69,R72,R77, R94	100	30650
31	5	R6,R8,R65,R80,R95	150	30652
32	5	R2,R12,R37,R44,R61	220	30654
33	8	R38,R39,R55,R56,R70,R71, R76,R82	330	30656
34	6	R31,R47,R67,R74,R78,R81	1.0K	30662
35	5	R17,R24,R34,R46,R92	1.5K	30664
36	9	R15,R26,R35,R41,R42,R48, R73,R91,R93	4.7K	30670
37	1	R51	6.8K	30672
38	2	R50,R52	8.2K	30673
39	12	R3,R7,R9,R10,R16,R27,R33,	10K	30674

Item	Quantity	Reference	Part	Part Number
		R36,R43,R53,R54,R59		
40	4	R28,R32,R60,R79	22K	30678
41	13	R5,R18,R21,R22,R40,R57, R75,R83,R84,R85,R86,R87, R88	47K	30682
42	1	R68	1.0M	30698
43	1	R19	10M	30704
44	2	C106,C107	.0012MF	23521
45	1	J1	TMP	35225
46	2	S3,S4	2AMP	35065
47	1	S1	4AMP	35067
48	8	Q1,Q2,Q4,Q7,Q19,Q23,Q25, Q26	MMBFJ310LT1	25377
49	10	D4,D5,D6,D7,D8,D9,D10, D11,D13,D14	MMSD914T1	28124
50	2	C72,C81	4.7/50	23310
51	1	C71	1/50	23264
52	5	C30,C32,C34,C36,C111	33/16	23308
53	1	C33	10/16	23266
54	1	T1	2BAL	21152
55	3	T2,T3,T4	3BAL	21153
56	2	D1,D2	RLS135	28130
57	1	C109	10-60PF	23268
58	1	D3	MMSZ5231BT1	28127
59	1	FL2	45MONO	48227
60	1	FL1	455FILT	48203
61	2	T5,T6	455IF	21093
62	4	C26,C27,C28,C29	BB620	28131
63	2	C39,C59	5-30PF	23236
64	2	C46,C63	100/35	23189
65	1	C60	.047MFD	23291
66	1	C61	.01MFD	23340
67	2	D12,D15	BA679	28133
68	6	L9,L10,L11,L12,L13,L27	4.7UHS	21197
69	1	L14	a	91566
70	3	L16,L17,L18	6HB	21179
71	1	L19	BIF	38131
72	1	L21	.25UH	21059
73	1	Q20	BF998	25387
74	1	R90	1.0K POT	30618
75	1	U1	MC145170	25405
76	1	U2	74LS390	25396
77	1	U3	NJM7810FA	25400
78	1	U4	TLO82	25406
79	1	L15	b	91566
80	1	ANT1	ANTENNA	
81	2	L4,L28	.12UH	
82	1	S2	PWR	
83	1	U5	PCSW	
84	1	X1	4.67MHZ	
85	1	X2	14.875MHz	